



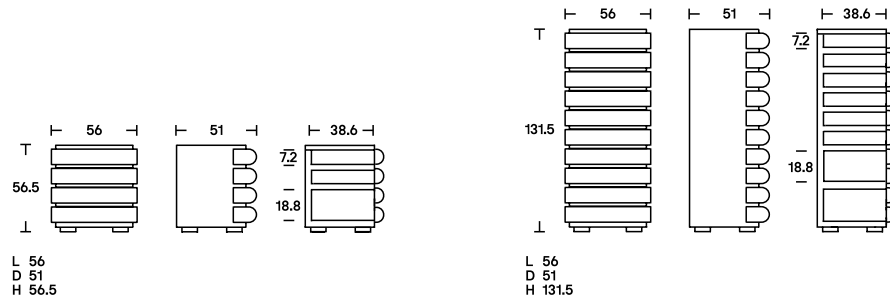
Storet

Year	1994 – 2021
Designer	Nanda Vigo

A playful, spirited pillar of drawers, the Storet cabinet epitomizes the visionary touch of Nanda Vigo designs. In both its elongated vertical edition, and in the nightstand designed by Nanda Vigo but manufactured for the first time only now, the Storet reflects today's advances in production, with the walnut's visible grain illuminating Acerbis's modern expertise in utilizing extensive wood surfaces.

The furniture's key element is the drawers' moulding, and it is available in glossy lacquered black, white, SW white, linen, sand, clay, burgundy, pink, dark green, mustard yellow, brick red and navy blue.

Dimensions



Finishes

Chest of drawers' system made of medium density wood fibre with open grain brushed veneer in black ash and dark stained walnut finishes.

Drawers: black, white, SW white, linen, sand, clay, burgundy, pink, dark green, mustard yellow, brick red and navy blue.

Drawer interior: open grain veneered plywood in the same finish as the structure.

Frontal drawers

LL09	LL15	LL23	LL24	LL20	LL21
LL22	LL06				

Structure and internal drawers

ES58	ES59
------	------

Finishes legend

Glossy lacquered SW white	LL09
Glossy lacquered clay	LL15
Glossy lacquered mustard yellow	LL23
Glossy lacquered brick red	LL24
Glossy lacquered bordeaux	LL20
Glossy lacquered pink	LL21
Glossy lacquered dark green	LL22
Glossy lacquered black	LL06
Black ash	ES58
Dark stained walnut	ES59